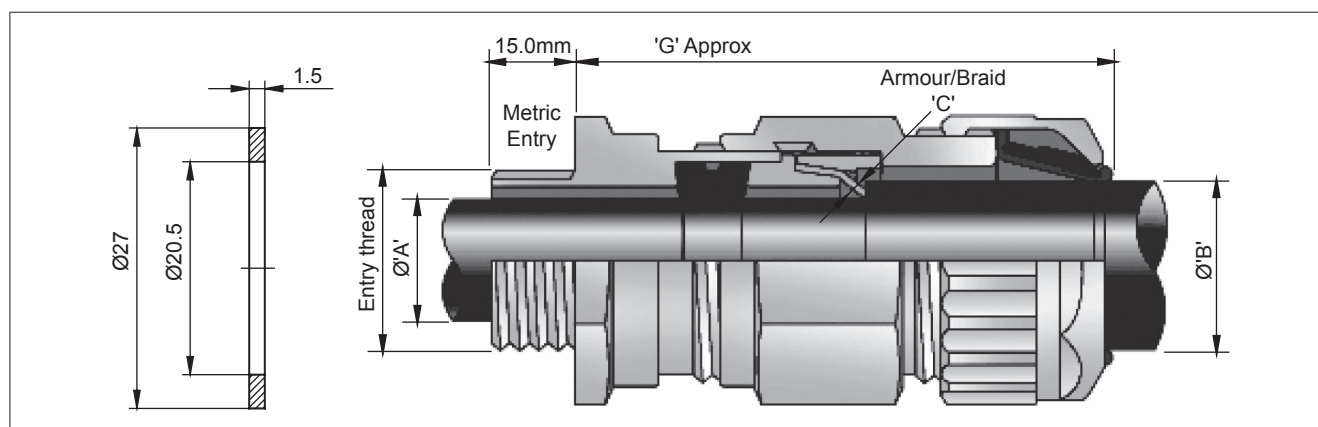



CABLE GLAND FOR FLAMEPROOF AND INCREASED SAFETY CONNECTION HEADS

Ex d, Ex e, Ex tb ATEX, IECEx, CSA CABLE GLANDS FOR ARMoured AND BRAIDED CABLES



TECHNICAL DATA

ATEX/IECEx

- Flameproof Exd IIC Gb, Increased Safety Exe IIC Gb and Dust Extb IIIC Db  II 2 GD.
- Certificate No's: Baseefa06ATEX0056X and IECEx BAS 06.0013X. Suitable for use in Zone 1, Zone 2, Zone 21, Zone 22 and in Gas Groups IIA, IIB and IIC.
- Construction and Test Standards: IEC/EN 60079-0, IEC/EN 60079-1, IEC/EN 60079-7 and IEC/EN 60079-31.
- Ingress Protection: IP66, IP67 and IP 68 (30 metres for 7 days) to IEC/EN 60529 and NEMA 4X.
- Operating Temperature Range: -60°C to +80°C.

cCSAus

- Flameproof AExd IIC Gb, Increased Safety AExe IIC Gb and Dust AExtD Zone 21.
- Explosion-proof Class 1 Division 2 Groups ABCD, Class II Division 2 Groups EFG, Class III.
- Certificate No's: CSA1015065 for Marine Shipboard Cable.
- Construction and Test Standards: UL 60079-0, UL 60079-1, UL 60079-7, ISA 60079-31, CSA 22.2 No: 60079-0, CSA 22.2 No: 60079-1, CSA 22.2 No: 60079-7, CSA 22.2 No: 60079-31, UL 2225

ORDERING No.	ENTRY THREAD SIZE	INNER SHEATH A		OUTER SHEATH B		ARMOUR / BRAID C		COMPRESSED LENGHT G	HEXAGON ACROSS FLATS
		Min	Max	Min	Max	Orient. 1	Orient. 2		
501/453/RAC/Os/M20	M20×1.5	3.0	8.0	5.5	12.0	0.9/1.25	0/0.7	32.8	24.0
501/453/RAC/Os/ ½NPT	½NPT	3.0	8.0	5.5	12.0	0.9/1.25	0/0.7	32.8	24.0
501/453/RAC/O/M20	M20×1.5	7.5	11.9	9.5	16.0	0.9/1.25	0/0.7	32.8	24.0
501/453/RAC/O/½NPT	½NPT	7.5	11.9	9.5	16.0	0.9/1.25	0/0.7	32.8	24.0
501/453/RAC/A/M20/S	M20×1.5	8.5	13.5	12.5	20.5	0.9/1.25	0/0.7	32.8	24.0
501/453/RAC/A/½NPT/S	½NPT	8.5	13.5	12.5	20.5	0.9/1.25	0/0.7	32.8	24.0
501/453/RAC/A/M20	M20×1.5	11.0	14.3	12.5	20.5	0.9/1.25	0/0.7	32.8	24.0
501/453/RAC/A/½NPT	½NPT	11.0	14.3	12.5	20.5	0.9/1.25	0/0.7	32.8	24.0
501/453/RAC/B/M25	M25×1.5	9.5	15.4	16.9	26.0	1.25/1.6	0/0.7	71.4	36.0
501/453/RAC/B/M25/S	M25×1.5	13.0	20.2	16.9	26.0	1.25/1.6	0/0.7	71.4	36.0
501/453/RAC/B/¾NPT	¾NPT	9.5	15.4	16.9	26.0	1.25/1.6	0/0.7	71.4	36.0
501/453/RAC/B/¾NPT/S	¾NPT	13.0	20.2	16.9	26.0	1.25/1.6	0/0.7	71.4	36.0
501/453/RAC/B/1NPT	1NPT	9.5	15.4	16.9	26.0	1.25/1.6	0/0.7	71.4	36.0
501/453/RAC/B/1NPT/S	1NPT	13.0	20.2	16.9	26.0	1.25/1.6	0/0.7	71.4	36.0

APPLICATION

Outdoor or indoor use. For use with single wire armoured W, wire braided X and steel tape armoured Z elastomer and plastic insulated cables.

FEATURES

Provides armour clamping using one clamping arrangement for all armour/braid types. Provides a seal on the cable inner sheath. Provides cable retention and low smoke and fume, zero halogen seal onto the cables outer sheath.

MATERIALS AND FINISHES

Standard with metric thread: brass or stainless steel; washer made from red fiber
Standard with NPT thread: brass nickel plated or stainless steel; without washer.