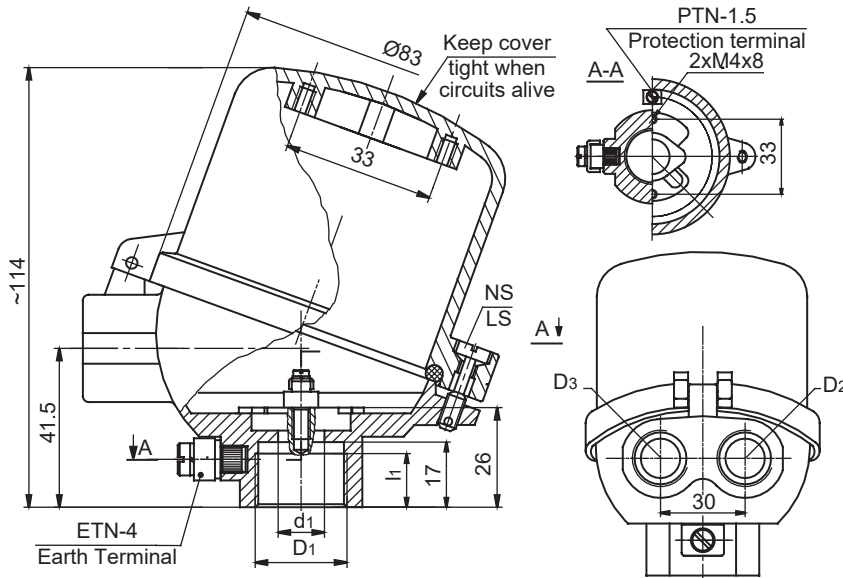


# CONNECTION HEAD - type XE-DANDW



The product is available only without a certificate.  
The certificate expired on April 16, 2023

| (1) | XE-DANDW  | ORDERING CODE | SPECIFICATION  |                          |                      |
|-----|---|---------------|--|--------------------------|----------------------|
| (2) | Material of elements                                  | 3             | other metal parts - stainless steel;<br>seals-oil resistant rubber (-40...100°C) |                          |                      |
| (3) | Cable gland thread                                    | M2            | M20x1.5  |                          |                      |
|     |   | N2            | ½NPT (empty thread only)   |                          |                      |
| (5) | Type of process thread D <sub>1</sub> /d <sub>1</sub> |               | <b>D<sub>1</sub> [ø]</b>   | <b>d<sub>1</sub> [ø]</b> | <b>l<sub>1</sub></b> |
|     |   | 4             | M24x1.5  | Ø11                      | 17                   |
|     |   | 5             | G¾   | Ø14                      | 17                   |
|     |   | 6             | G½   | Ø14                      | 17                   |
|     |   | 7             | ½NPT   | -                        | 20                   |
|     |   | 8             | M24x1.5  | Ø14                      | 17                   |
| (7) | Cover closure   | NS            | Screws without leaden seal holes   |                          |                      |
|     |   | LS            | Screws with leaden seal holes  |                          |                      |
| (8) | Paint type  | P             | Polyester  |                          |                      |
|     |   | E             | Epoxy  |                          |                      |
|     |   | C             | Creodur - Rafil  |                          |                      |
|     |   | SE            | Spray epoxy  |                          |                      |
|     |   | SPU           | Spray polyurethane on (SE) layer   |                          |                      |
| (9) | Paint colour  | al            | alu natural colour (only Creodur - Rafil)  |                          |                      |
|     |   | yc            | RAL 1007 daffodil yellow   |                          |                      |
|     |   | ys            | RAL 1003 signal yellow   |                          |                      |
|     |   | bs            | RAL 5005 signal blue   |                          |                      |
|     |   | sb            | RAL 5015 sky blue  |                          |                      |
|     |   | sg            | RAL 7032 pebble grey   |                          |                      |
|     |   | gr            | RAL 7035 light grey  |                          |                      |
|     |   | ag            | RAL 9002 grey white  |                          |                      |
|     |   | sh            | RAL 9006 white aluminium   |                          |                      |
|     |   | gs            | RAL 9007 grey aluminium  |                          |                      |
|     |   | cw            | RAL 9010 pure white  |                          |                      |
| wa  | white aluminium (substitute of Cal, only Polyester)   |               |  |                          |                      |

## Main features:

- material of body and cover - aluminium pressure die-castings, max 0.5%Mg
- service temperature: T<sub>serv</sub> = -40+100°C
- maximum space for transmitter: Ø45x16mm, Ø60x40mm

## Ordering example:

(1) (2) (3) (5) (7) (8) (9)  
XE-DANDW 3 - M2 - 5 - NS - P sh